

Network Module

2019.10



Shenzhen Sunell Technology Corporation

3-4F, Bldg.6, Pingshan Science and Technology Park, Taoyuan Street,
Nanshan District, Shenzhen, China. 518055

Tel: +86(755) 2675 4336

Fax: +86(755) 8602 6152

E-mail: sales@sunellsecurity.com

Copyright © Shenzhen Sunell Technology Corporation 2019. All rights reserved.
The specifications and descriptions of products and services contained in this catalogue were correct at the time of
publishing. Inner Range reserves the right to change specifications or withdraw products without notice.

Oct 2019

www.sunellsecurity.com



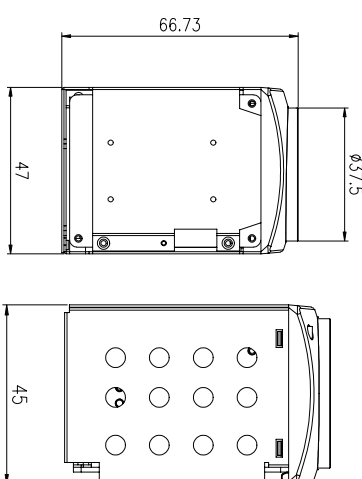
12x 4MP Network Module SN-PMD1040DN-Z12



FEATURE

- 1/2.8" progressive scan CMOS
- H.265 & H.264 triple-stream encoding
- 12x Optical Zoom, 16x digital zoom, f=4.7~56.4mm
- 4MP (2592x1520)@25/30fps,
- 3D DNR, True WDR, ICR, IVS, ROI, Defog, Motion Detection, Privacy Masking
- Leading AF/AE technology, the focus is stable, accurate, stable exposure, fast
- Advanced structure cooling design, small size, low power, small temperature rise
- Abundant network protocol can be seamless docking industry mainstream platform
- Abundant external interface, support RS485, RS232 communication, easy docking

Size (mm)



SPECIFICATION

Model		SN-PMD1040DN-Z12
Camera	Image Sensor	1/2.8" Progressive Scan CMOS
	Signal System	PAL/NTSC
	S/N Ratio	55dB
	Electronic Shutter	Auto/Manual, 1/5-1/20,000s
	Day/Night	Auto(ICR) / Day / Night / Timing
	Video Output	Network coded output
	Resolution	2592x1520/1920x1080/1280x720/D1/VGA/ 640x360/CIF/QVGA @25/30fps
Lens	Focal Length	4.7~56.4mm, 12x Optical Zoom
	Max. Aperture	F1.6~F3.0
	Angle of View	H: 60.9°~6.43°
	Zoom Speed	2s
Compression	Video Compression	H.265, H.264, MJPEG
	Bit Rate	100kbps~12Mbps
	Audio Compression	G711_ALAW/G711_ULAW/RAW_PCM
Network	Protocols	IPv4/IPv6, HTTP, HTTPS, TCP/UDP, DNS, DDNS, RTSP/RTP/RTCP, DHCP, NTP, PPPOE, SMTP, UPNP, FTP, 802.1x, SNMP
Function	IVS	Perimeter, Single Virtual Fence, Double Virtual Fences, Loiter, Multi Loiter, Object Left, Object Removed, Abnormal Speed, Converse, Illegal Parking, Signal Bad
	Wide Dynamic Range	True WDR (120dB)
	White Balance	Auto/Tungsten/Fluorescent/Daylight/Shadow/Manual
General	Power Supply	DC12V
	Power Consumption	Less than 4W
	Operating Temperature	-20°C ~ 60°C (-4°F ~ 140 °F) <90% (non-condensation)
	Dimensions	66.7mm x 47 mm x 45 mm
	Net Weight	165g

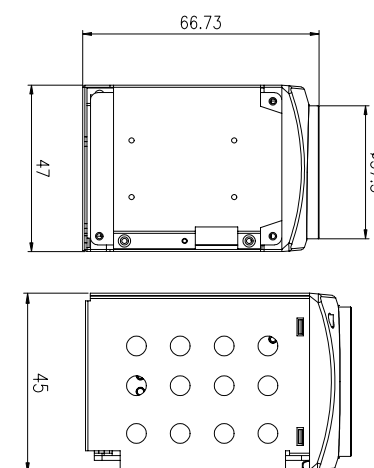
12x 5MP Network Module SN-PMD1050DN-Z12



FEATURE

- 1/2.8" progressive scan CMOS
- H.265 & H.264 triple-stream encoding
- 12x Optical Zoom, 16x digital zoom, f=4.7~56.4mm
- 5MP (2560x1920)@25/30fps,
- 3D DNR, True WDR, ICR, IVS, ROI, Defog, Motion Detection, Privacy Masking
- Leading AF/AE technology, the focus is stable, accurate, stable exposure, fast
- Advanced structure cooling design, small size, low power, small temperature rise
- Abundant network protocol can be seamless docking industry mainstream platform
- Abundant external interface, support RS485, RS232 communication, easy docking

Size (mm)



SPECIFICATION

Model		SN-PMD1050DN-Z12
Camera	Image Sensor	1/2.8" Progressive Scan CMOS
	Signal System	PAL/NTSC
	S/N Ratio	55dB
	Electronic Shutter	Auto/Manual, 1/5-1/20,000s
	Day/Night	Auto(ICR) / Day / Night / Timing
	Video Output	Network coded output
	Resolution	2560x1920/2048x1536/1280x960/ D1/VGA/640x360/CIF/QVGA @25/30fps
Lens	Focal Length	4.7~56.4mm, 12x Optical Zoom
	Max. Aperture	F1.6~F3.0
	Angle of View	H: 60.9°~6.43°
	Zoom Speed	2s
Compression	Video Compression	H.265, H.264, MJPEG
	Bit Rate	100kbps~12Mbps
	Audio Compression	G711_ALAW/G711_ULAW/RAW_PCM
Network	Protocols	IPv4/IPv6, HTTP, HTTPS, TCP/UDP, DNS, DDNS, RTSP/RTP/RTCP, DHCP, NTP, PPPOE, SMTP, UPNP, FTP, 802.1x, SNMP
Function	IVS	Perimeter, Single Virtual Fence, Double Virtual Fences, Loiter, Multi Loiter, Object Left, Object Removed, Abnormal Speed, Converse, Illegal Parking, Signal Bad
	Wide Dynamic Range	True WDR (120dB)
	White Balance	Auto/Tungsten/Fluorescent/Daylight/Shadow/Manual
General	Power Supply	DC12V
	Power Consumption	Less than 4W
	Operating Temperature	-20°C ~ 60°C (-4°F ~ 140 °F) <90% (non-condensation)
	Dimensions	66.7mm x 47 mm x 45 mm
	Net Weight	165g

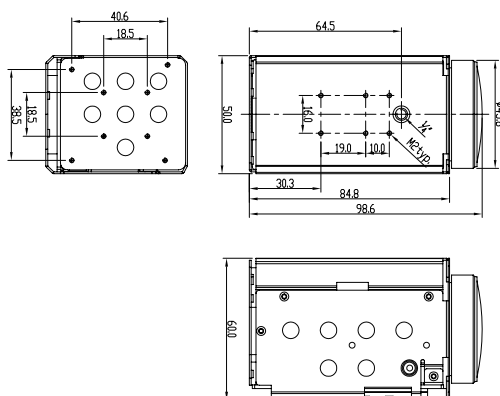
30x 2MP Network Module SN-PMD1020DN-Z30



FEATURE

- 1/2.8" progressive scan CMOS
- H.265 & H.264 triple-stream encoding
- 30x Optical Zoom, 16x digital zoom, f=4.5~135mm
- 2MP (1920x1080)@25/30fps,
- 3D DNR, True WDR, ICR, IVS, ROI, Defog, Motion Detection, Privacy Masking
- Leading AF/AE technology, the focus is stable, accurate, stable exposure, fast
- Advanced structure cooling design, small size, low power, small temperature rise
- Abundant network protocol can be seamless docking industry mainstream platform
- Abundant external interface, support RS485, RS232 communication, easy docking

Size (mm)



SPECIFICATION

Model		SN-PMD1020DN-Z30
Camera	Image Sensor	1/2.8" Progressive Scan CMOS
	Signal System	PAL/NTSC
	S/N Ratio	55dB
	Electronic Shutter	Auto/Manual, 1/5-1/20,000s
	Day/Night	Auto(ICR) / Day / Night / Timing
	Video Output	Network coded output
	Resolution	1920x1080/1280x720/D1/VGA/640x360/CIF/QVGA @25/30fps
Lens	Focal Length	4.5~135mm, 30x Optical Zoom
	Max. Aperture	F1.6~F4.4
	Angle of View	H: 59.8°~2.3°
	Zoom Speed	2.5s
Compression	Video Compression	H.265, H.264, MJPEG
	Bit Rate	100kbps~12Mbps
	Audio Compression	G711_ALAW/G711_ULAW/RAW_PCM
Network	Protocols	IPv4/IPv6, HTTP, HTTPS, TCP/UDP, DNS, DDNS, RTSP/RTP/RTCP, DHCP, NTP, PPPOE, SMTP, UPNP, FTP, 802.1x, SNMP
Function	IVS	Perimeter, Single Virtual Fence, Double Virtual Fences, Loiter, Multi Loiter, Object Left, Object Removed, Abnormal Speed, Converse, Illegal Parking, Signal Bad
	Wide Dynamic Range	True WDR (120dB)
	White Balance	Auto/Tungsten/Fluorescent/Daylight/Shadow/Manual
General	Power Supply	DC12V
	Power Consumption	Less than 5.3W
	Operating Temperature	-20°C ~ 60°C (-4°F ~ 140 °F) <90% (non-condensation)
	Dimensions	98.6mm x 50 mm x 60 mm
	Net Weight	320g

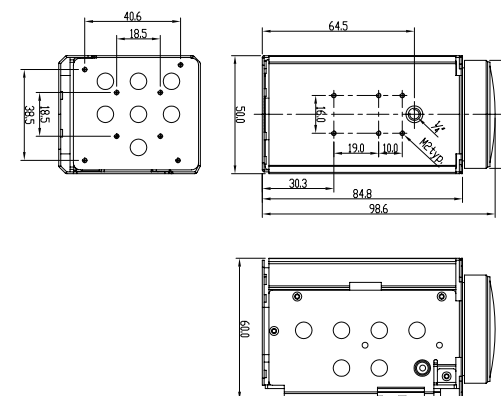
30x 3MP Network Module SN-PMD1030DN-Z30



FEATURE

- 1/2.8" progressive scan CMOS
- H.265 & H.264 triple-stream encoding
- 30x Optical Zoom, 16x digital zoom, f=4.5~135mm
- 3MP (2048x1536)@25/30fps,
- 3D DNR, True WDR, ICR, IVS, ROI, Defog, Motion Detection, Privacy Masking
- Leading AF/AE technology, the focus is stable, accurate, stable exposure, fast
- Advanced structure cooling design, small size, low power, small temperature rise
- Abundant network protocol can be seamless docking industry mainstream platform
- Abundant external interface, support RS485, RS232 communication, easy docking

Size (mm)



SPECIFICATION

Model		SN-PMD1030DN-Z30
Camera	Image Sensor	1/2.8" Progressive Scan CMOS
	Signal System	PAL/NTSC
	S/N Ratio	55dB
	Electronic Shutter	Auto/Manual, 1/5-1/20,000s
	Day/Night	Auto(ICR) / Day / Night / Timing
	Video Output	Network coded output
	Resolution	2048x1536/1920x1080/1280x720/D1/VGA/ 640x360/CIF/QVGA @25/30fps
Lens	Focal Length	4.5~135mm, 30 Optical Zoom
	Max. Aperture	F1.6~F4.4
	Angle of View	H: 59.8°~2.3°
	Zoom Speed	2.5s
Compression	Video Compression	H.265, H.264, MJPEG
	Bit Rate	100kbps~12Mbps
	Audio Compression	G711_ALAW/G711_ULAW/RAW_PCM
Network	Protocols	IPv4/IPv6, HTTP, HTTPS, TCP/UDP, DNS, DDNS, RTSP/RTP/RTCP, DHCP, NTP, PPPOE, SMTP, UPNP, FTP, 802.1x, SNMP
Function	IVS	Perimeter, Single Virtual Fence, Double Virtual Fences, Loiter, Multi Loiter, Object Left, Object Removed, Abnormal Speed, Converse, Illegal Parking, Signal Bad
	Wide Dynamic Range	True WDR (120dB)
	White Balance	Auto/Tungsten/Fluorescent/Daylight/Shadow/Manual
General	Power Supply	DC12V
	Power Consumption	Less than 5.3W
	Operating Temperature	-20°C ~ 60°C (-4°F ~ 140 °F) <90% (non-condensation)
	Dimensions	98.6mm x 50 mm x 60 mm
	Net Weight	320g

37x 2MP Starlight Network Module

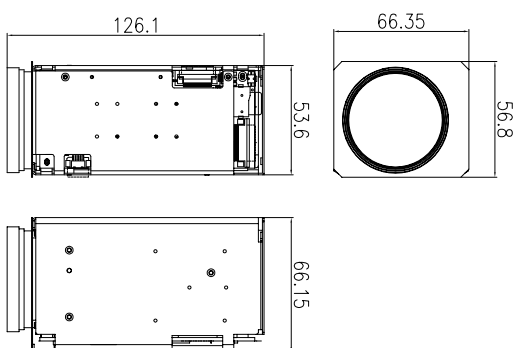
SN-PMD1121DN-Z37



FEATURE

- 1/2" progressive scan CMOS
- H.265 & H.264 triple-stream encoding
- 37x optical zoom, 16x digital zoom, f=6~222mm
- 2MP (1920x1080)@50/60fps,
- 3D DNR, True WDR, ICR, IVS, ROI, Defog, Motion Detection, Privacy Masking
- Leading AF/AE technology, the focus is stable, accurate, stable exposure, fast
- Advanced structure cooling design, small size, low power, small temperature rise
- Abundant network protocol can be seamless docking industry mainstream platform
- Abundant external interface, support RS485, RS232 communication, easy docking

Size (mm)



SPECIFICATION

Model		SN-PMD1121DN-Z37
Camera	Image Sensor	1/2" Progressive Scan CMOS
	Signal System	PAL/NTSC
	S/N Ratio	55dB
	Electronic Shutter	Auto/Manual, 1/5-1/20,000s
	Day/Night	Auto(ICR) / Day / Night / Timing
	Video Output	Networkcoded output
	Resolution	1920x1080/1280x720 @50/60fps D1/VGA/640x360/CIF/QVGA @25/30fps
Lens	Focal Length	6~222mm, 37 Optical Zoom
	Max. Aperture	F1.5~F4.8
	Angle of View	H: 58.4°~2.1°
	Zoom Speed	2.8s
Compression	Video Compression	H.265, H.264, MJPEG
	Bit Rate	100kbps~12Mbps
	Audio Compression	G711_ALAW/G711_ULAW/RAW_PCM
Network	Protocols	IPv4/IPv6, HTTP, HTTPS, TCP/UDP, DNS, DDNS, RTSP/RTP/RTCP, DHCP, NTP, PPPOE, SMTP, UPNP, FTP, 802.1x, SNMP
Function	IVS	Perimeter, Single Virtual Fence, Double Virtual Fences, Loiter, Multi Loiter, Object Left, Object Removed, Abnormal Speed, Converse, Illegal Parking, Signal Bad
	Wide Dynamic Range	True WDR (120dB)
	White Balance	Auto/Tungsten/Fluorescent/Daylight/Shadow/Manual
General	Power Supply	DC12V
	Power Consumption	Less than 5.3W
	Operating Temperature	-20°C ~ 60°C (-4°F ~ 140 °F) <90% (non-condensation)
	Dimensions	126mm x 56.8mm x 66.3 mm
	Net Weight	420g

37x 2MP AI Starlight Network Module

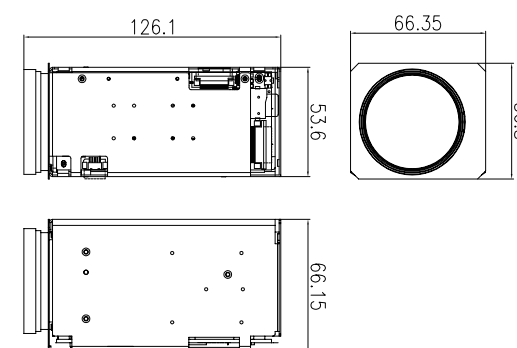
SN-PMD1121DN-J2-Z37



FEATURE

- 1/2" progressive scan CMOS
- H.265 & H.264 triple-stream encoding
- 37x optical zoom, 16x digital zoom, f=6~222mm
- 2MP (1920x1080)@50/60fps,
- Support face, human body, vehicle, non-motor detection and capture
- High performance, up to 300 faces, human body and 40 vehicles detection per frame
- 3D DNR, True WDR, ICR, IVS, ROI, Defog, Motion Detection, Privacy Masking
- Leading AF/AE technology, the focus is stable, accurate, stable exposure, fast
- Advanced structure cooling design, small size, low power, small temperature rise
- Abundant network protocol can be seamless docking industry mainstream platform
- Abundant external interface, support RS485, RS232 communication, easy docking

Size (mm)



SPECIFICATION

Model		SN-PMD1121DN-J2-Z37
Camera	Image Sensor	1/2" Progressive Scan CMOS
	Signal System	PAL/NTSC
	S/N Ratio	55dB
	Electronic Shutter	Auto/Manual, 1/5-1/20,000s
	Day/Night	Auto(ICR) / Day / Night / Timing
	Video Output	Networkcoded output
	Resolution	1920x1080/1280x720 @50/60fps D1/VGA/640x360/CIF/QVGA @25/30fps
Lens	Focal Length	6~222mm, 37 Optical Zoom
	Max. Aperture	F1.5~F4.8
	Angle of View	H: 58.4°~2.1°
	Zoom Speed	2.8s
Compression	Video Compression	H.265, H.264, MJPEG
	Bit Rate	100kbps~12Mbps
	Audio Compression	G711_ALAW/G711_ULAW/RAW_PCM
Network	Protocols	IPv4/IPv6, HTTP, HTTPS, TCP/UDP, DNS, DDNS, RTSP/RTP/RTCP, DHCP, NTP, PPPOE, SMTP, UPNP, FTP, 802.1x, SNMP
Function	Smart Detection	Detects face, human body, vehicle and non-motor automatically and capture
	IVS	Perimeter, Single Virtual Fence, Double Virtual Fences, Multi Loiter, Converse
	Wide Dynamic Range	True WDR (120dB)
	White Balance	Auto/Tungsten/Fluorescent/Daylight/Shadow/Manual
General	Power Supply	DC12V
	Power Consumption	Less than 6W10W
	Operating Temperature	-20°C ~ 60°C (-4°F ~ 140 °F) <90% (non-condensation)
	Dimensions	126mm x 56.8mm x 66.3 mm
	Net Weight	430g

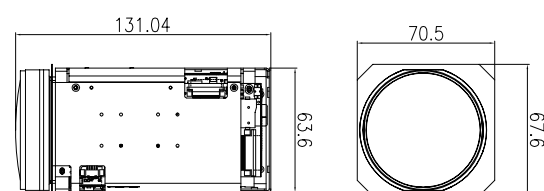
40x 5MP Network Module SN-PMD1150DN-Z40



FEATURE

- 1/2.8" progressive scan CMOS
- H.265 & H.264 triple-stream encoding
- 40x optical zoom, 16x digital zoom, f=4.98~199.3mm
- 5MP (2560×1920)@20fps,
- 3D DNR, True WDR, ICR, IVS, ROI, Defog, Motion Detection, Privacy Masking
- Leading AF/AE technology, the focus is stable, accurate, stable exposure, fast
- Advanced structure cooling design, small size, low power, small temperature rise
- Abundant network protocol can be seamless docking industry mainstream platform
- Abundant external interface, support RS485, RS232 communication, easy docking

Size (mm)



SPECIFICATION

Model		SN-PMD1150DN-Z40
Camera	Image Sensor	1/2.8" Progressive Scan CMOS
	Signal System	PAL/NTSC
	S/N Ratio	55dB
	Electronic Shutter	Auto/Manual, 1/5-1/20,000s
	Day/Night	Auto(ICR) / Day / Night / Timing
	Video Output	Networkcoded output
	Resolution	2560×1920 @20fps, 2048×1536/1280×960/D1/ VGA/640×360/CIF/QVGA @25/30fps
Lens	Focal Length	4.98~199.3mm, 40 Optical Zoom
	Max. Aperture	F1.2~F3.5
	Angle of View	H: 59.1°~1.8°
	Zoom Speed	3s
Compression	Video Compression	H.265, H.264, MJPEG
	Bit Rate	100kbps~12Mbps
	Audio Compression	G711_ALAW/G711_ULAW/RAW_PCM
Network	Protocols	IPv4/IPv6, HTTP, HTTPS, TCP/UDP, DNS, DDNS, RTSP/RTP/RTCP, DHCP, NTP, PPPOE, SMTP, UPNP, FTP, 802.1x, SNMP
Function	IVS	Perimeter, Single Virtual Fence, Double Virtual Fences, Loiter, Multi Loiter, Object Left, Object Removed, Abnormal Speed, Converse, Illegal Parking, Signal Bad
	Wide Dynamic Range	True WDR (120dB)
	White Balance	Auto/Tungsten/Fluorescent/Daylight/Shadow/Manual
General	Power Supply	DC12V
	Power Consumption	Less than 6W
	Operating Temperature	-20°C ~ 60°C (-4°F ~ 140 °F) <90% (non-condensation)
	Dimensions	131 mm × 67.6 mm × 70.5 mm
	Net Weight	510g

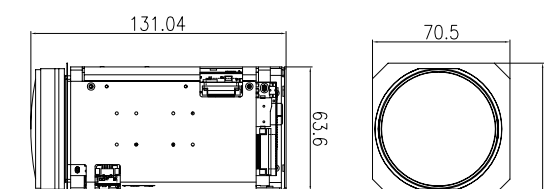
40x 4MP Network Module SN-PMD1140DN-Z40



FEATURE

- 1/2.8" progressive scan CMOS
- H.265 & H.264 triple-stream encoding
- 40x optical zoom, 16x digital zoom, f=4.98~199.3mm
- 4MP (2592×1520)@25/30fps,
- 3D DNR, True WDR, ICR, IVS, ROI, Defog, Motion Detection, Privacy Masking
- Leading AF/AE technology, the focus is stable, accurate, stable exposure, fast
- Advanced structure cooling design, small size, low power, small temperature rise
- Abundant network protocol can be seamless docking industry mainstream platform
- Abundant external interface, support RS485, RS232 communication, easy docking

Size (mm)



SPECIFICATION

Model		SN-PMD1140DN-Z40
Camera	Image Sensor	1/2.8" Progressive Scan CMOS
	Signal System	PAL/NTSC
	S/N Ratio	55dB
	Electronic Shutter	Auto/Manual, 1/5-1/20,000s
	Day/Night	Auto(ICR) / Day / Night / Timing
	Video Output	Networkcoded output
	Resolution	2592×1520/1920×1080/1280×720/ D1/ VGA/640×360/CIF/QVGA @25/30fps
Lens	Focal Length	4.98~199.3mm, 40 Optical Zoom
	Max. Aperture	F1.2~F3.5
	Angle of View	H: 59.1°~1.8°
	Zoom Speed	3s
Compression	Video Compression	H.265, H.264, MJPEG
	Bit Rate	100kbps~12Mbps
	Audio Compression	G711_ALAW/G711_ULAW/RAW_PCM
Network	Protocols	IPv4/IPv6, HTTP, HTTPS, TCP/UDP, DNS, DDNS, RTSP/RTP/RTCP, DHCP, NTP, PPPOE, SMTP, UPNP, FTP, 802.1x, SNMP
Function	IVS	Perimeter, Single Virtual Fence, Double Virtual Fences, Loiter, Multi Loiter, Object Left, Object Removed, Abnormal Speed, Converse, Illegal Parking, Signal Bad
	Wide Dynamic Range	True WDR (120dB)
	White Balance	Auto/Tungsten/Fluorescent/Daylight/Shadow/Manual
General	Power Supply	DC12V
	Power Consumption	Less than 6W
	Operating Temperature	-20°C ~ 60°C (-4°F ~ 140 °F) <90% (non-condensation)
	Dimensions	131 mm × 67.6 mm × 70.5 mm
	Net Weight	510g

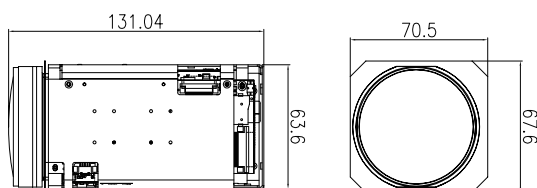
40x 4MP AI Network Module SN-PMD1140DN-J2-Z40



FEATURE

- 1/2.8" progressive scan CMOS
- H.265 & H.264 triple-stream encoding
- 40x optical zoom, 16x digital zoom, f=4.98~199.3mm
- 4MP (2592x1520)@25/30fps,
- Support face, human body, vehicle, non-motor detection and capture
- High performance, up to 300 faces, human body and 40 vehicles detection per frame
- 3D DNR, True WDR, ICR, IVS, ROI, Defog, Motion Detection, Privacy Masking
- Leading AF/AE technology, the focus is stable, accurate, stable exposure, fast
- Advanced structure cooling design, small size, low power, small temperature rise
- Abundant network protocol can be seamless docking industry mainstream platform
- Abundant external interface, support RS485, RS232 communication, easy docking

Size (mm)



SPECIFICATION

Model		SN-PMD1140DN-J2-Z40
Camera	Image Sensor	1/2.8" Progressive Scan CMOS
	Signal System	PAL/NTSC
	S/N Ratio	55dB
	Electronic Shutter	Auto/Manual, 1/5-1/20,000s
	Day/Night	Auto(ICR) / Day / Night / Timing
	Video Output	Networkcoded output
	Resolution	2592x1520/1920x1080/1280x720/ D1/ VGA/640x360/CIF/QVGA @25/30fps
Lens	Focal Length	4.98~199.3mm, 40 Optical Zoom
	Max. Aperture	F1.2~F3.5
	Angle of View	H: 59.1°~1.8°
	Zoom Speed	3s
Compression	Video Compression	H.265, H.264, MJPEG
	Bit Rate	100kbps~12Mbps
	Audio Compression	G711_ALAW/G711_ULAW/RAW_PCM
Network	Protocols	IPv4/IPv6, HTTP, HTTPS, TCP/UDP, DNS, DDNS, RTSP/RTP/RTCP, DHCP, NTP, PPPOE, SMTP, UPNP, FTP, 802.1x, SNMP
Function	Smart Detection	Detects face, human body, vehicle and non-motor automatically and capture
	IVS	Perimeter, Single Virtual Fence, Double Virtual Fences, Multi Loiter, Converse.
	Wide Dynamic Range	True WDR (120dB)
	White Balance	Auto/Tungsten/Fluorescent/Daylight/Shadow/Manual
General	Power Supply	DC12V
	Power Consumption	Less than 10W
	Operating Temperature	-20°C ~ 60°C (-4°F ~ 140 °F) <90% (non-condensation)
	Dimensions	131mm x 67.6 mm x 70.5 mm
	Net Weight	520g

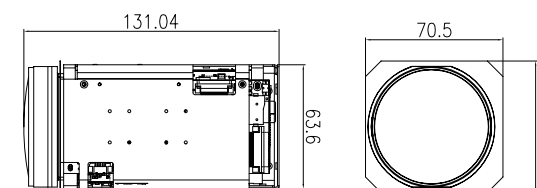
40x 5MP AI Network Module SN-PMD1150DN-J2-Z40



FEATURE

- 1/2.8" progressive scan CMOS
- H.265 & H.264 triple-stream encoding
- 40x optical zoom, 16x digital zoom, f=4.98~199.3mm
- 5MP (2560x1920)@20fps,
- Support face, human body, vehicle, non-motor detection and capture
- High performance, up to 300 faces, human body and 40 vehicles detection per frame
- 3D DNR, True WDR, ICR, IVS, ROI, Defog, Motion Detection, Privacy Masking
- Leading AF/AE technology, the focus is stable, accurate, stable exposure, fast
- Advanced structure cooling design, small size, low power, small temperature rise
- Abundant network protocol can be seamless docking industry mainstream platform
- Abundant external interface, support RS485, RS232 communication, easy docking

Size (mm)



SPECIFICATION

Model		SN-PMD1150DN-J2-Z40
Camera	Image Sensor	1/2.8" Progressive Scan CMOS
	Signal System	PAL/NTSC
	S/N Ratio	55dB
	Electronic Shutter	Auto/Manual, 1/5-1/20,000s
	Day/Night	Auto(ICR) / Day / Night / Timing
	Video Output	Networkcoded output
	Resolution	2560x1920 @20fps, 2048x1536/1280x960/D1/ VGA/640x360/CIF/QVGA @25/30fps
Lens	Focal Length	4.98~199.3mm, 40 Optical Zoom
	Max. Aperture	F1.2~F3.5
	Angle of View	H: 59.1°~1.8°
	Zoom Speed	3s
Compression	Video Compression	H.265, H.264, MJPEG
	Bit Rate	100kbps~12Mbps
	Audio Compression	G711_ALAW/G711_ULAW/RAW_PCM
Network	Protocols	IPv4/IPv6, HTTP, HTTPS, TCP/UDP, DNS, DDNS, RTSP/RTP/RTCP, DHCP, NTP, PPPOE, SMTP, UPNP, FTP, 802.1x, SNMP
Function	Smart Detection	Detects face, human body, vehicle and non-motor automatically and capture
	IVS	Perimeter, Single Virtual Fence, Double Virtual Fences, Multi Loiter, Converse.
	Wide Dynamic Range	True WDR (120dB)
	White Balance	Auto/Tungsten/Fluorescent/Daylight/Shadow/Manual
General	Power Supply	DC12V
	Power Consumption	Less than 10W
	Operating Temperature	-20°C ~ 60°C (-4°F ~ 140 °F) <90% (non-condensation)
	Dimensions	131mm x 67.6 mm x 70.5 mm
	Net Weight	520g